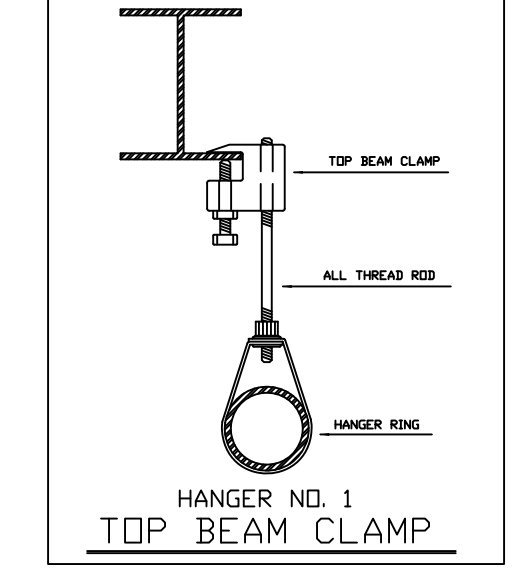


SCOPE OF WORK
 EXISTING SYSTEM AND HAZARD TO REMAIN AS IS. THE SCOPE IS TO RENOVATE EXISTING SPRINKLER SYSTEM TO SUITE NEW WALLS, CEILING AND LIGHTING LAYOUTS, CONVERTING EXISTING WET SYSTEM TO DRY IN NEW OUTSIDE SALES.

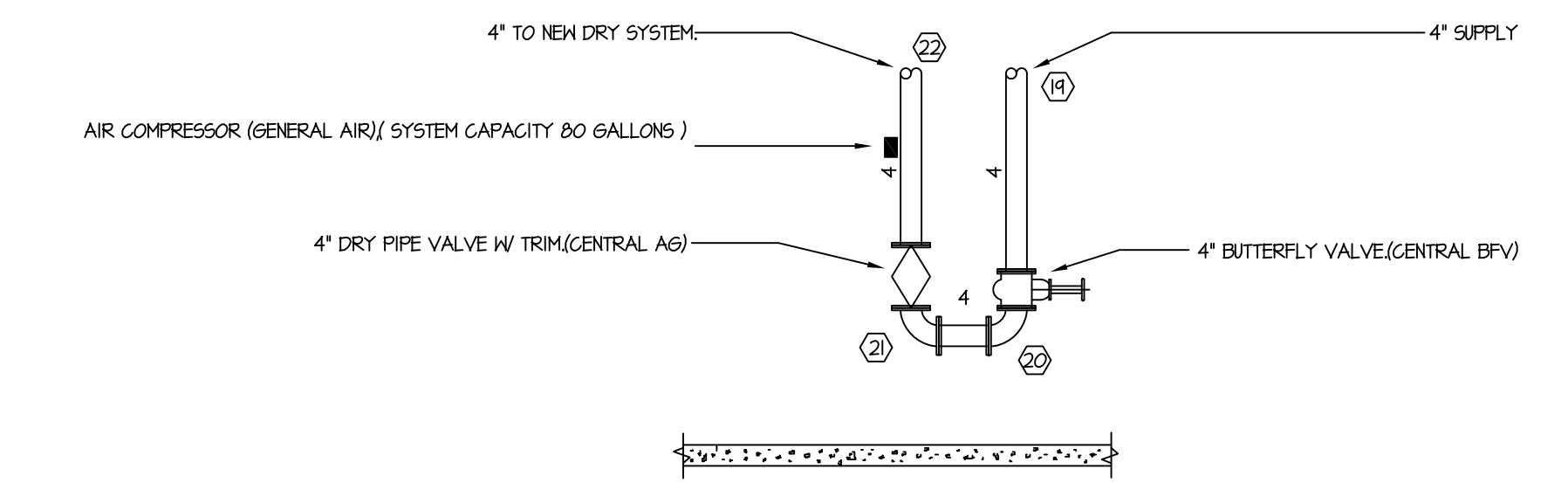
GENERAL NOTES

1. SPRINKLER SYSTEM TO BE INSTALLED IN ACCORDANCE WITH THE LATEST N.F.P.A. NO. 13.
2. SYSTEM =
 HAZARD = ORDINARY 2
 SPACING = 130 SQ. FT. MAX.
 GENERAL CONSTRUCTION = NON-COMBUSTIBLE
3. AVAILABLE WATER:
 SIZE OF CITY MAIN = 0M/2001 ON EASTON RD. AT HESLEY AVE AND GLENSIDE AVE.
 LOCATION = 102 PSI
 STATIC = 102 PSI
 RESIDUAL = 96 PSI AT 1433 GPM
4. DESIGN CRITERIA
 DRY SYSTEM 20 / 1950 SQ.FT. PLUS 250 GPM HOSE.
5. FIRE DEPARTMENT CONNECTION IS EXISTING.
6. ALL ABOVE GROUND PIPE TO BE BLACK STEEL, WITH CAST/ MALLEABLE IRON FITTINGS WITH JOINTS AS PER N.F.P.A.
 PIPE SHALL BE AS PER THE FOLLOWING SCHEDULE:
 LINE PIPING = SCHEDULE 40
 CROSSMAINS & BULK PIPE = SCHEDULE 10 THINWALL
7. PIPE HANGERS TO BE INSTALLED AS REQUIRED BY N.F.P.A. FOR SUPPORTING SPRINKLER PIPING. NO OTHER PIPING AND/OR DEVICES ARE TO BE ATTACHED TO THE SPRINKLER PIPE.
8. UNDERGROUND PIPE IS EXISTING.



EXISTING SYSTEM
 CONVERT EXISTING WET SYSTEM TO DRY SYSTEM REMOVE EXISTING PENDANT SPRINKLER INSTALL NEW PENDANT SPRINKLERS AT ROOF. MODIFY SPRINKLER PIPE PER DRY SYSTEM REQUIREMENTS.

SEPARATE BUILDING & OWNERSHIP



HYDRAULICALLY CALCULATED SYSTEM

REMOTE AREA LOCATION	DRY SYSTEM
OCCUPANCY	ORDINARY 2
DENSITY	20
AREA OF APPLICATION	1950 SQ. FT.
NO. OF SPRINKLERS CALCULATED	14
SPRINKLER K FACTOR	5.6
IN RACK SPRINKLER DEMAND	0 GPM
INSIDE HOSE DEMAND	0 GPM
OUTSIDE HOSE DEMAND	250 GPM
SYSTEM DEMAND AT CITY CONNECTION = 1844 GPM AT 88.1 PSI.	
○ DENOTES HYDRAULIC REFERENCE POINT	



REVISIONS		SPRINKLER SYMBOL DESCRIPTION										
Symbol	Make	Type	Material	Size	Temp.	K-Factor	Model	N.P.T.	Orifice	Response	S.J.N.	Total
○	RELIABLE	UPRIGHT	BRASS	1/2	165.0	5.6	F1FR	1/2	1/2	QUICK	R3615	60
⊙	TYCO	DRY PENDENT	CHROME	1/2	155.0	5.6	DS-1	1/2	1/2	QUICK	TY3255	45
TOTAL SPRINKLERS SHOWN ON THIS SHEET											105	
TOTAL SPRINKLERS REQUIRED ON THIS CONTRACT											105	

PHILIP SCONYO
 PROFESSIONAL ENGINEER
 NJ LIC. NO. GE21801
 DE LIC. NO. 1861
 PA LIC. NO. PE-032256-E



SPRINKLER PLAN

PROJECT
 PRODUCE JUNCTION
 265 SOUTH EASTON ROAD
 CHELTENHAM TOWNSHIP, PA.

FIRE SPRINKLER SERVICE CO.
 P.O. BOX 186, MANTUA, NJ 08051
 PHONE: (856) 464-0378 FAX: (856) 464-0378

Date: 02-06-2010
 Scale: 1/8"=1'-0"
 Job No.:
 Drawn By: RSN
 Sheet No: FP-1